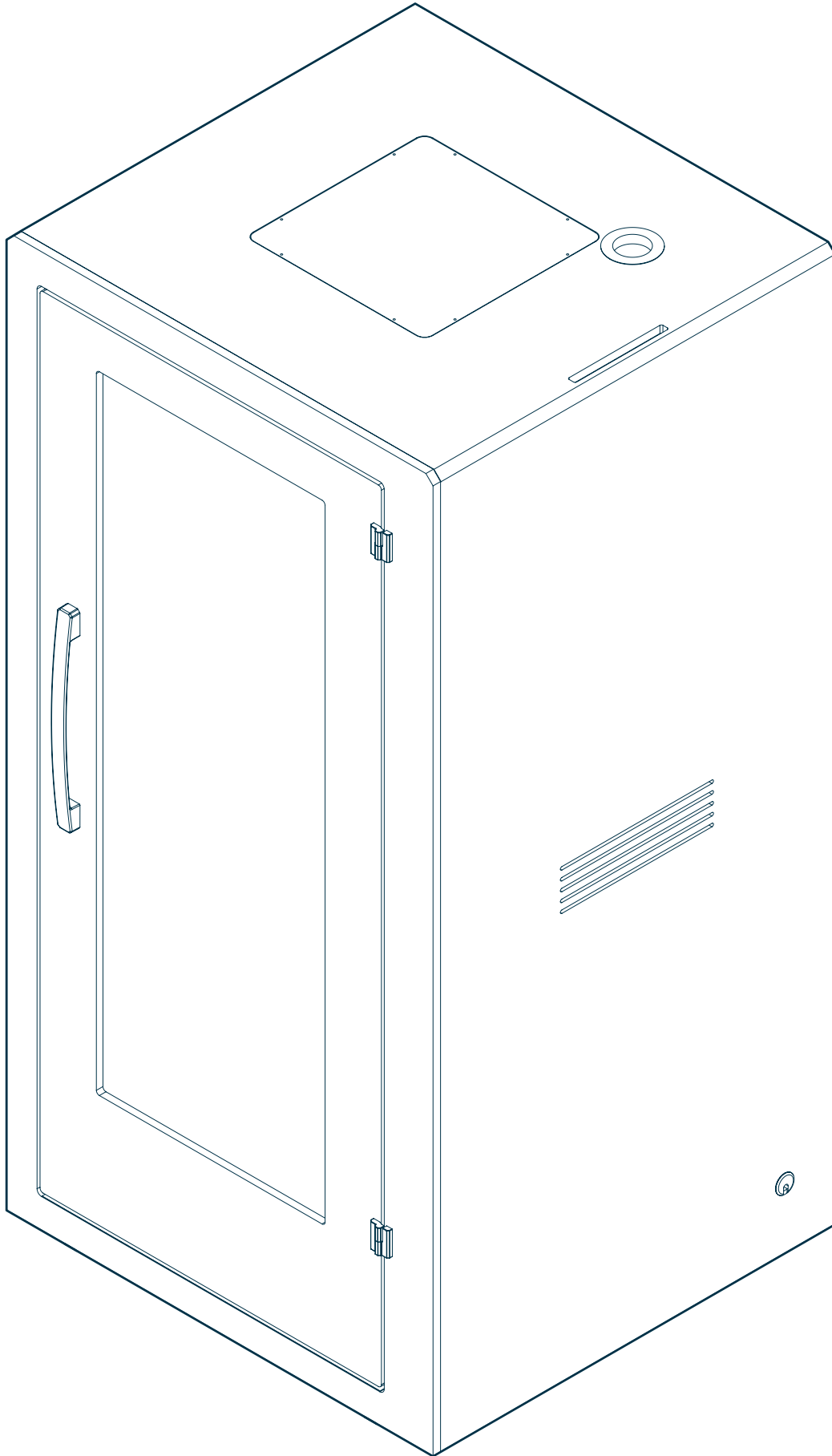


Privacy Booth

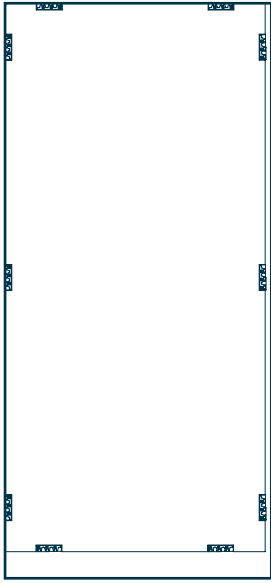
vari®



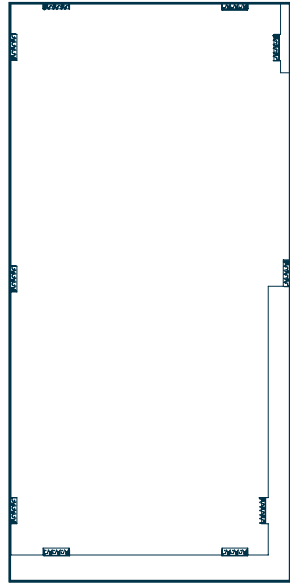
2 People Required



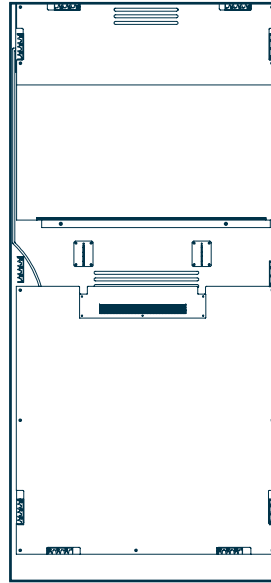
INCLUDED PARTS:



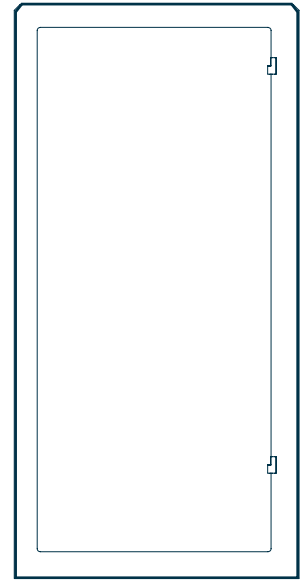
**PANEL 1 (LEFT)
x1**



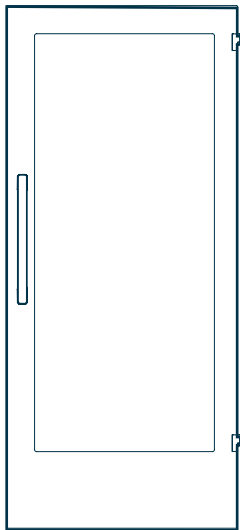
**PANEL 2 (BACK)
x1**



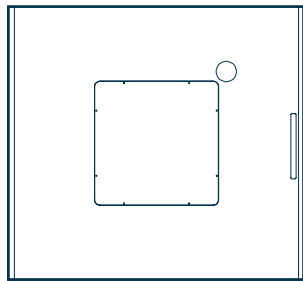
**PANEL 3 (RIGHT)
x1**



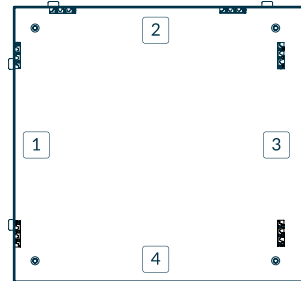
**DOOR FRAME
x1**



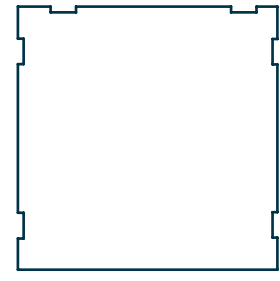
**DOOR
x1**



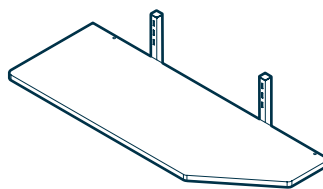
**CEILING PANEL
x1**



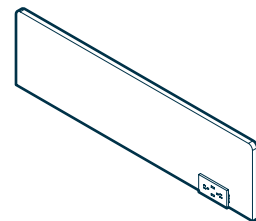
**BASE
x1**



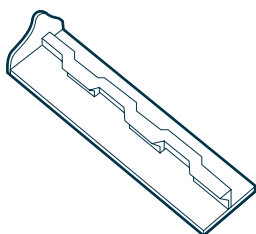
**VINYL FLOORING
x1**



**SHELF BASE
x1**



**SHELF BACK PANEL
x1**

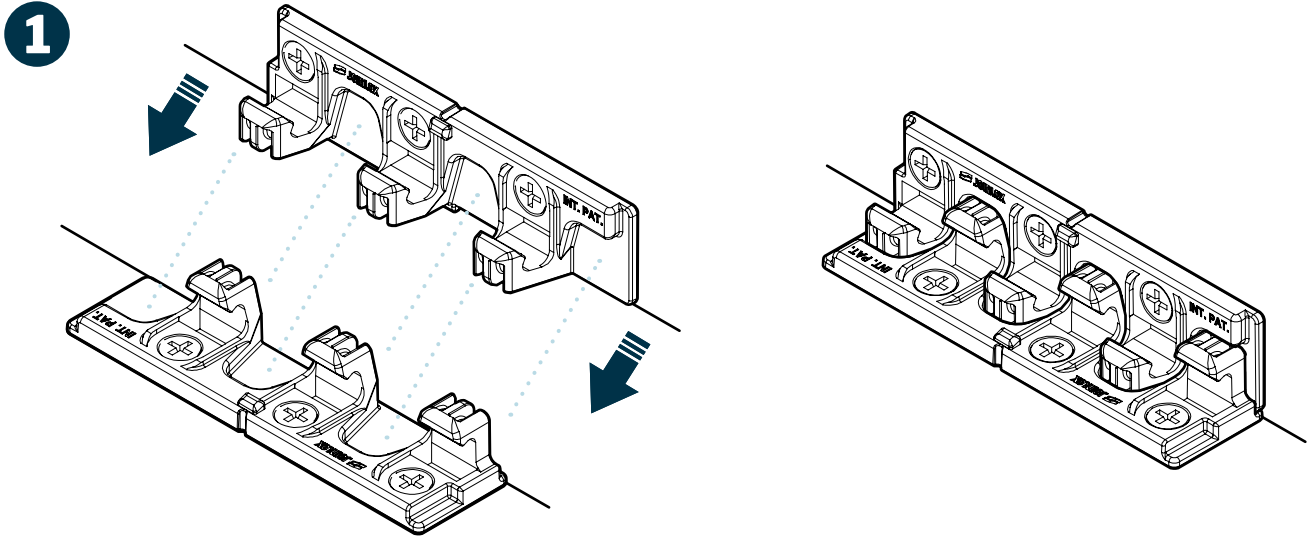


**STRIPLOX™ CONNECTOR
x26**

REQUIRED TOOLS (NOT INCLUDED):

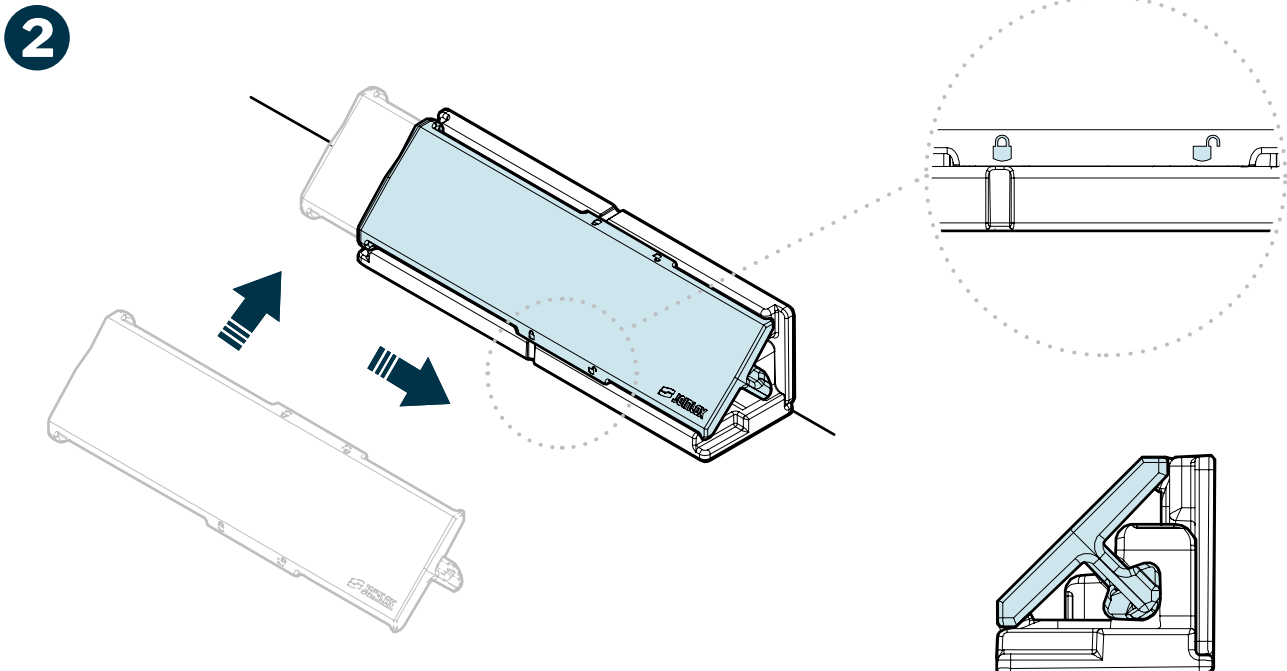
- Socket Wrench (Size 13)
- Rubber Mallet

Connecting Striplox™ Hooks



NOTE: While assembling the Privacy Booth, **DO NOT** release any panels until all Striplox™ Hooks and Connectors are completely installed.

Align the pre-installed Striplox™ Hooks as shown in the image above, then shift the pieces together until they are snugly in place and form a joint.

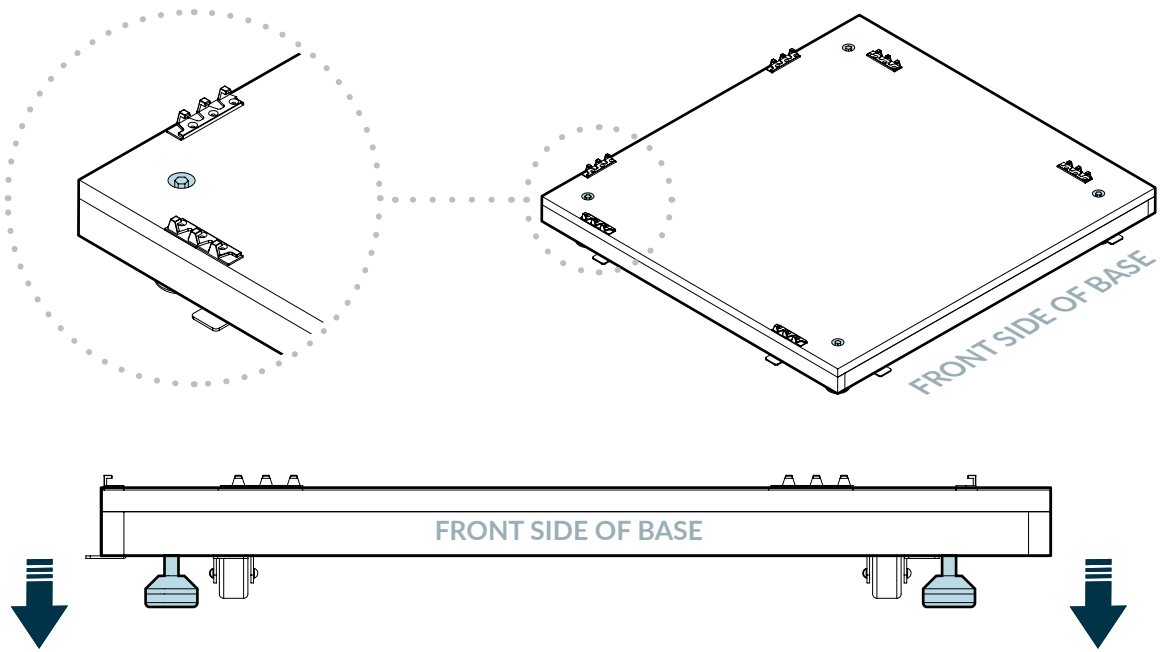


With the joint properly aligned, slide the Striplox™ Connector piece into place. This can be done by inserting the Connector slightly off-center with the joint and then sliding it in place or by sliding it in from either end of the joint. The Connector will be in place when the closed end is flush with the end of the joint and the notch lines up with the “Lock” symbol.

NOTE: You may need to use a rubber mallet to get the Connector fully in place.

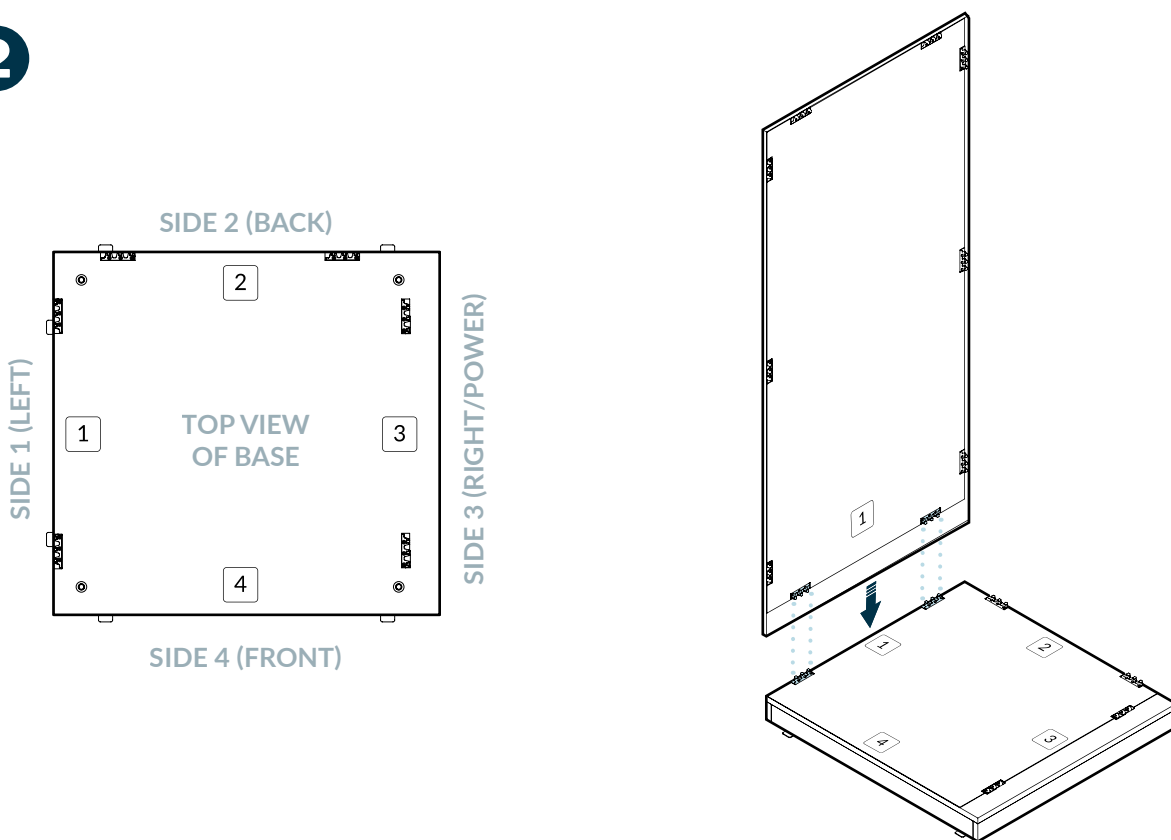
Assembling the Privacy Booth

1



To ensure the base is secure and level, use a 13mm socket wrench on each of the four nuts, adjusting the leveling feet so they extend below the casters. Once the leveling feet are engaged and the base panel is level, orient the base in position by identifying the side with no Striplox™ hooks installed; this is the front edge of the base.

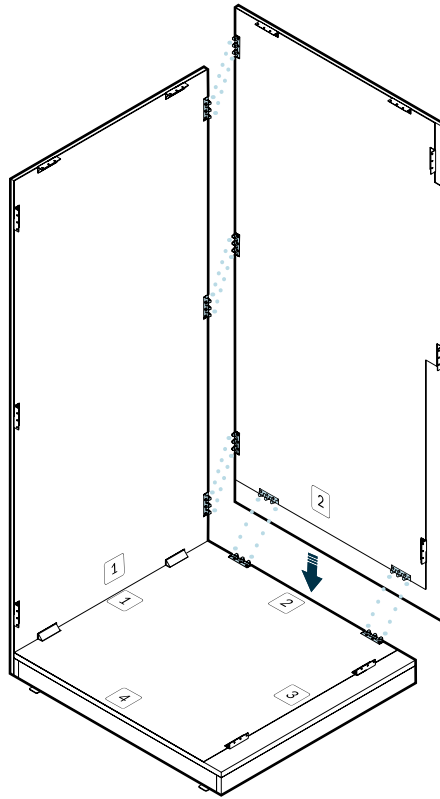
2



Place Panel 1 on Side 1 of the base (see above diagram), aligning the pre-installed Striplox™ Hooks on the panel with the Striplox™ Hooks on the base. While someone holds the panel in place, insert the Striplox™ Connectors into both of the bottom joints. (See Striplox™ instructions on page 3 for clarification.)

DO NOT release Panel 1 until Panel 2 is secure.

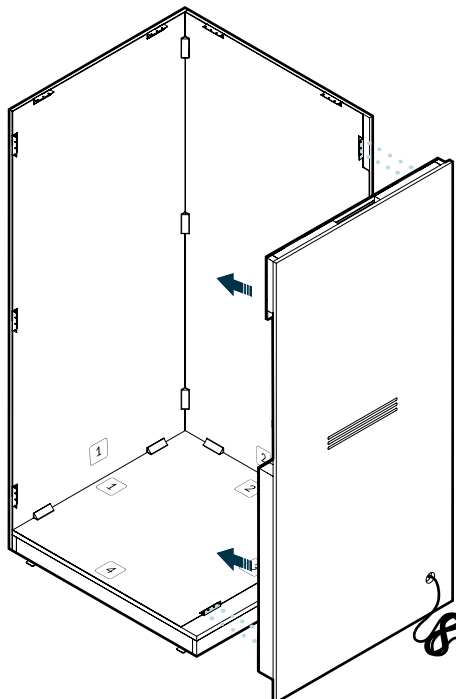
3



While someone continues to support Panel 1, place Panel 2 along Side 2 of the base (see previous diagram), aligning the pre-installed Striplox™ Hooks on Panel 2 with the Striplox™ Hooks on the base and Panel 1. Insert the Striplox™ Connectors into both of the bottom joints and the three joints between Panels 1 and 2.

There should now be a total of 7 Striplox™ joints connected.

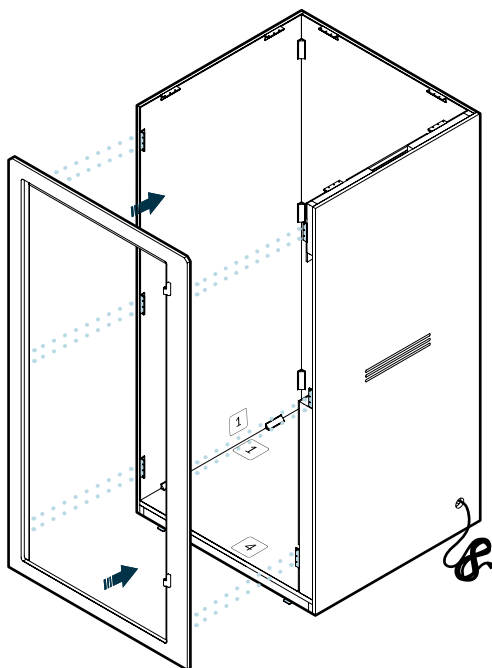
4



With assistance, place Panel 3 on Side 3 of the base (see previous diagram), aligning the pre-installed Striplox™ Hooks on Panel 3 with the Striplox™ Hooks on the base and Panel 2. Insert the Striplox™ Connectors into both of the bottom joints and the three joints between Panels 2 and 3.

There should now be a total of 12 Striplox™ joints connected.

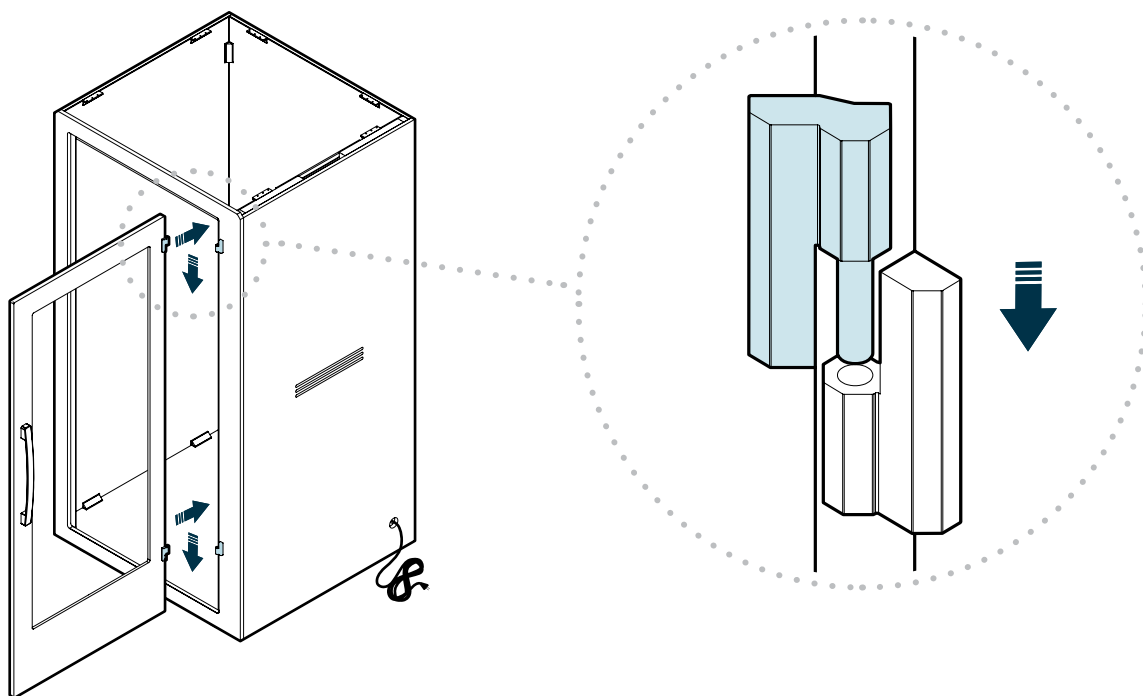
5



With assistance, line up the door frame with the front of the booth, resting the frame on the metal brackets attached to the base. All of the Striplox™ Hooks on the door frame should be aligned with the Hooks on Panels 1 and 3. While one person supports the door frame from the outside, a second person inside the booth should insert the Striplox™ Connectors into the joints, starting at the top and working down both sides toward the base.

There should now be a total of 18 Striplox™ joints connected.

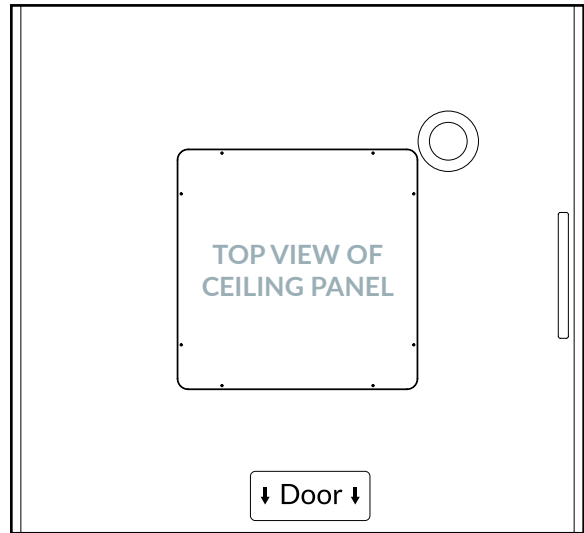
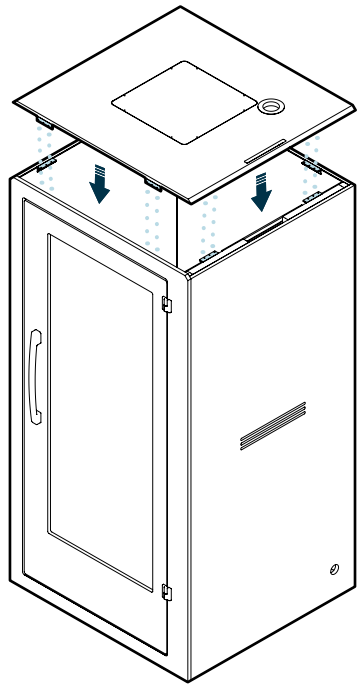
6



Once the door frame is installed, with assistance, lift the door and place it on the hinges of the frame. Be cautious of finger placement to avoid pinching.

6.

7

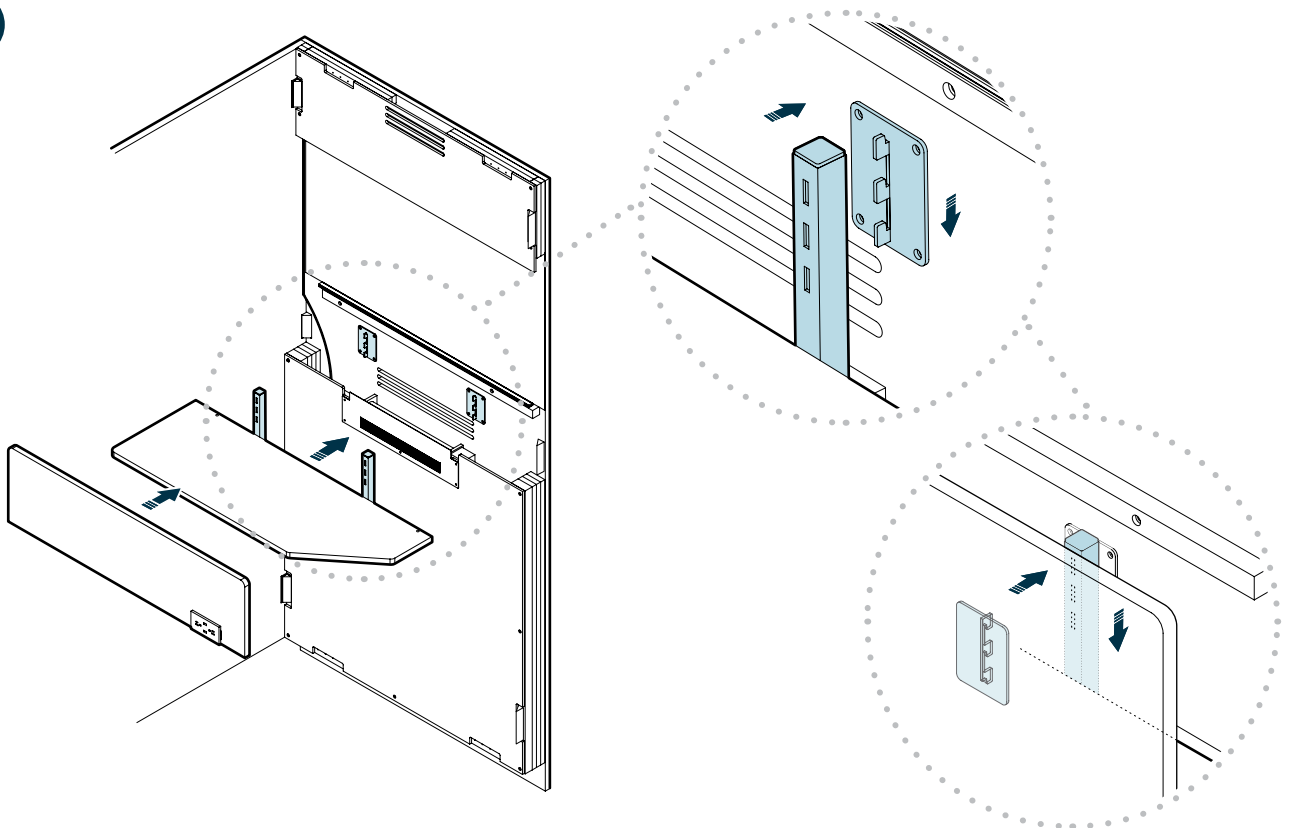


SIDE 4 (FRONT)

Before attempting installation of the ceiling panel, please ensure any elevating device or surface is properly leveled and/or stabilized. Next, with assistance, place the Ceiling Panel on top of the booth with the arrows facing up and pointed toward the door. When all of the Striplox™ Hooks on the Ceiling Panel are aligned with the hooks on the other panels, slide the Striplox™ Connectors into place.

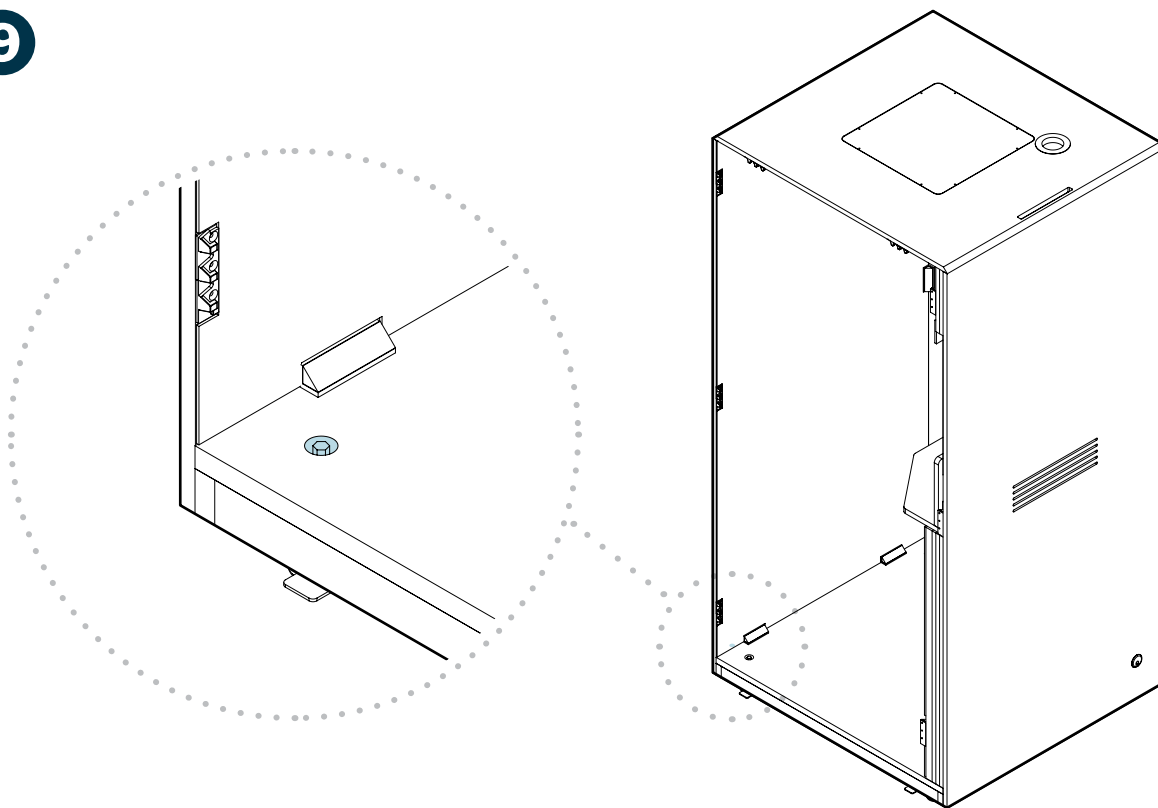
There should now be a total of 26 Striplox™ joints connected.

8



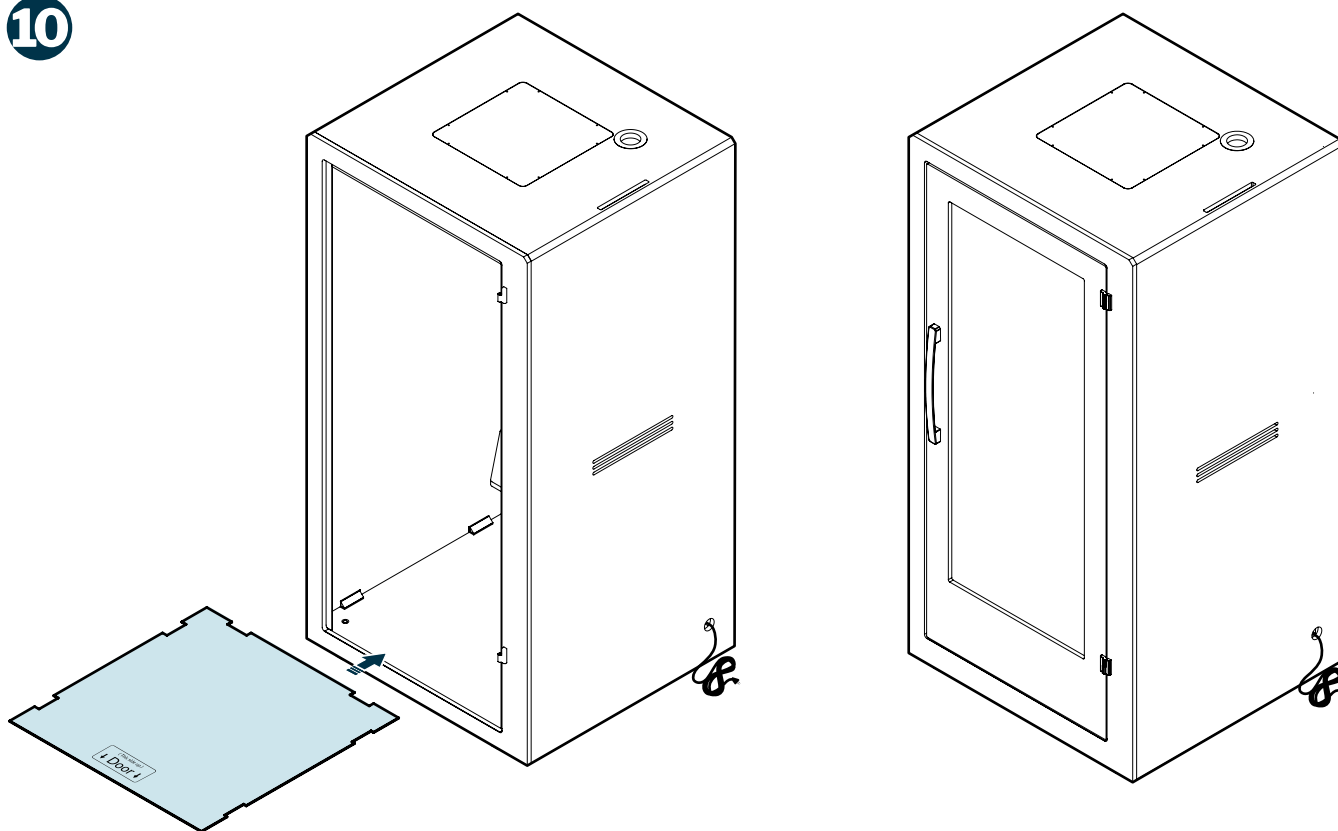
To install the shelf, connect the shelf base to Panel 3 by aligning the slots on the shelf bracket with the pre-installed hooks on the wall. Then, connect the power cord to the socket in the Panel 3. Next, align the pre-installed hooks on the shelf back panel with the slots on the base shelf bracket to secure.

9



To move or level the booth, use a 13mm socket wrench to turn the nuts in the floor. When the leveling feet are above the casters, you may move the booth to the desired location. Once the booth is in the desired place and position, be sure to lower the leveling feet again so they extend below the casters.

10



Place the vinyl flooring in the booth. The arrows on the vinyl indicate which side should be facing the door.

Lastly, plug the booth into a power source.